

WHEEL INNER BEARING RACE PULLER

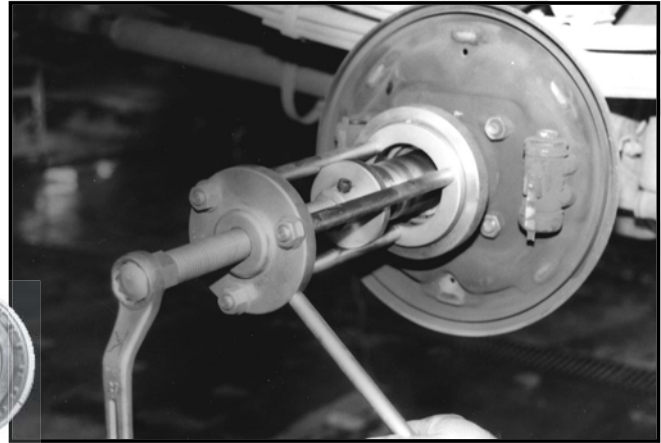
JH-901

Now, setting is finished at a single touch! Front and rear hub bearings can be removed easily from 2- to 3-ton vehicles, without damage.

Main unit set Model: JH-901

The chuck is sold separately. Select the chuck from the table below, based on the application. The sets listed at the lower left are also available.

The JH-919 should be used for vehicles over 4 tons.



How the tool is used

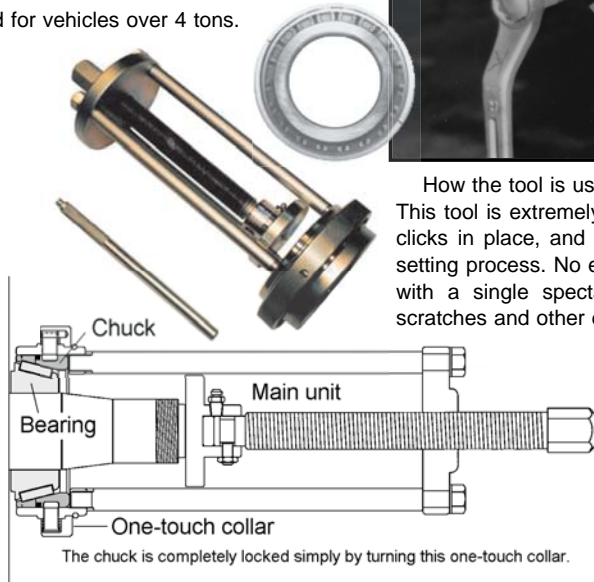
This tool is extremely easy to use. The chuck main unit is set so it clicks in place, and the one-touch collar is turned, completing the setting process. No extra bolts are involved, and work can be done with a single spectacle. Naturally, bearings are protected from scratches and other damage.

Sets for Canter vehicles

No.	App bearing(Front)
R 66	MB025345
R 74	MB025005
R 83	MB025006
R 87	MB025294
No.	App bearing(Rear)
R 90	MB005396
R101-2	MT321624

Sets for ELF vehicles

No.	App bearing(Front)
R 73	9-00093-085-0
R 74	8-94248-077-0
R 83	9-00093-149-0
No.	App bearing(Rear)
R 79	9-00032-209-0
R 94	9-00093-081-0
R101-1	9-00093-624-0



The chuck is completely locked simply by turning this one-touch collar.



JH-901 Applicable Models

Chucks numbered R103 and higher require a separate adapter collar (JH-901-31).

Chuck No.	Vehicle Name	Bearing Product Code	Genuine Parts Code
	Isuzu Mitsubishi Hino Nissan/UD Mazda Toyota		
	Taitan 2-4t/R(4100) 84 ⁻		
R123	Fighter 3.5-5.5t/R 76 ⁻		9960-32-215
	Forward 3.75-5.5t/R(FRR) 84 ⁻	32215J	MH043001
	Ranger 5-5.5t/R(GD) 83 ⁻		9-00093-161-1
	Condor 3.25-6.25t/R(CM) 75 ⁻		9884-75101
R118	Ranger 3-3.75t/F(WB,FT) 80 ⁻	32214J	01014-10584
	Ranger 3-4.5t/R(FD) 80 ⁻	567R	9884-70101
R112	Ranger 3.5-4t/R(KM) 78 ⁻	560S	9884-73102
	Taitan 2-2.75t/R(3000,3500) 80 ⁻	30213J	9884-68101
R103	Dyna 3.5t/R(4000) 82 ⁻	3994R	9960-30-213
	Ranger 2-4t/R(HV,S) 84 ⁻	32212J	90368-66006
R101-1	ELF 3.5-4t/R(NPR59) 84 ⁻	29586a	9760A-32212
	Forward 3.75-4.5t/F(FRR) 84 ⁻	R55-5ASA	9-00093-624-0
R101-2	Canter 2-3t/R(FE) 78 ⁻	30212J	9-00093-031-1
	Ranger 2-3t/R(HV,W) 84 ⁻		MT321624
R100	Dyna 3.5t/F(4000) 82 ⁻	30310J	9760A-30212
	Ranger 3-5.5t/F(FD,GD,KG) 80 ⁻		90368-50001
R 98	Fighter 3.25-4t/F(FK417) 89 ⁻	55KW02	9884-50104
R 97	Dyna 2-3.5t/R(3000,3400) 77 ⁻	469R	MH043063
	Fighter 3.5-5.5t/F(FK) 76 ⁻	R55-8(TR11103)	90368-57010
R 95	Taitan 1.5-2.75t/R(2500,3000,3500) 80 ⁻	33013	MH043005
	Atlas 2-3t/R(200-300,W) 81 ⁻		0727-27-350
R 94	ELF 1-2t/R(NHR-S,WHR,NKR,WKR,NPR,KT) 84 ⁻	28985aR	43210-T8100
R 93	Condor 3.25-6.25t/F(CM) 75 ⁻	32211J	9-00093-081-1
R 90	Taitan 2-4t/F(4100) 84 ⁻	57402J(30309)	01014-10544
	Canter 1-1.5t/R(FB) 80 ⁻	57326(32012)	W029-33-047
R 89	Taitan 1.5-2t/R(2500,3000) 80 ⁻	33013J	MB005396
	Atlas 2-3t/R(200-300,S) 81 ⁻		W025-26-076
R 87	Canter 3.5t/F(FE) 85 ⁻	50KW01	43210-76001
	Canter 2.75-3.5t/F(FE) 85 ⁻	30210J	MB025294
R 83	ELF 2-3.5t/F(NKR,NPR) 84 ⁻	32210J	MB025006
	Ranger 3.5-4t/F(KM) 78 ⁻		9-00093-149-0
	Titan 1.5-2.75t/F(2500,3000,3500) 80 ⁻	57396R(32209)	9884-50110
R 79	ELF 1-1.5t/R(NHR-S,WHR-S) 84 ⁻	32209J	W023-33-047
	Ranger 2-3t/F(HV) 83 ⁻		9-00032-209-0
	Dyna 2-3.5t/F(3000,3400) 77 ⁻	3579R	9004D-66016
	Canter 2-3t/F(FE) 78 ⁻		90368-42045
R 74	ELF 1-1.5t/F(NHR) 84 ⁻	32208J	MB025005
	Atlas 2-3t/F(200-300) 81 ⁻		8-94248-077-0
R 73	ELF 1.25-2t/F(WHR,WKR,KT) 84 ⁻	3384	40210-76000
R 66	Canter 1-1.5t/F(FB) 80 ⁻	32207J	9-00093-085-0

Model name indications: Max. cubic capacity/F --- Front, R --- Rear (vehicle model), year