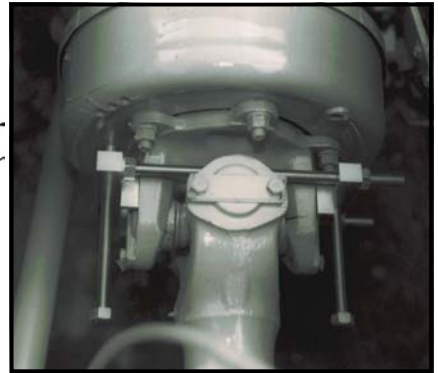
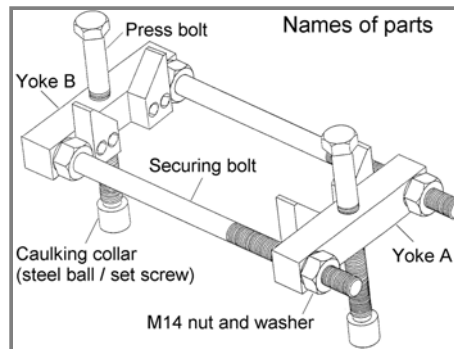
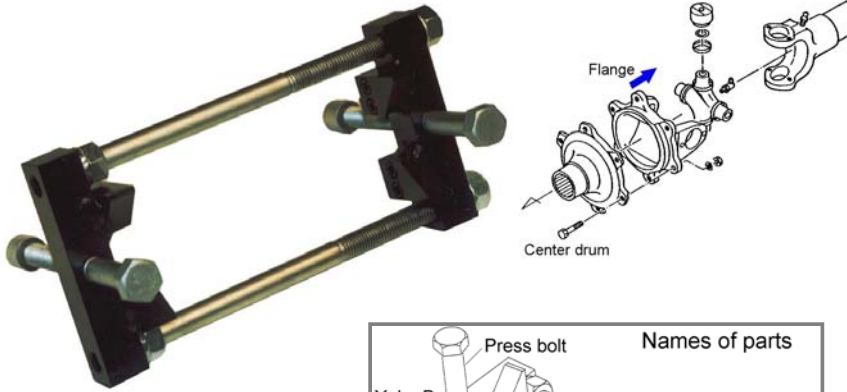


## CENTER DRUM FLANGE PULLER for Hino large-sized vehicles

# CDP-621N

Using this tool, center drum (center brake) and flange (propeller shaft) couplings can be removed easily, securely, and rapidly from Hino large-sized vehicles.



\* The above photograph is to provide a reference showing the set conditions. The attachment nut is removed when the actual work is done.