

BS-922

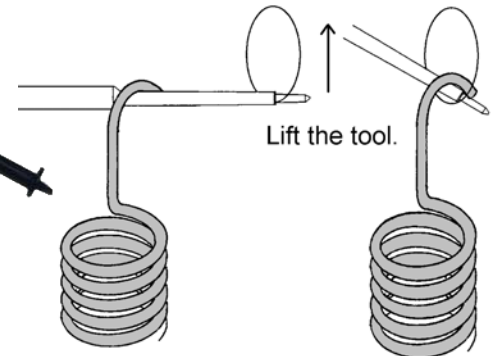
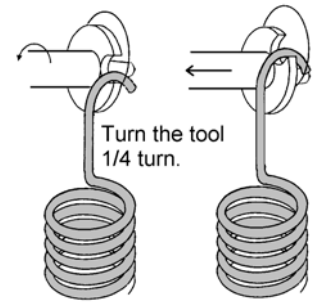
This tool facilitates removal of the brake shoe return spring in compact cars to 4t vehicles.

- Applicability: 2t ~ 4t vehicles (cannot be used with heavy duty vehicles or those using some other system)



Removal

- [1] Fit the end of the return spring into the groove in the BS-922.
- [2] Turn the tool 90 ° and pull off the spring.



- [1] Hang the return spring on the BS-922 and fits the end into the installation hole.
- [2] Lift the tool as shown in the figure to let the spring slide into place.